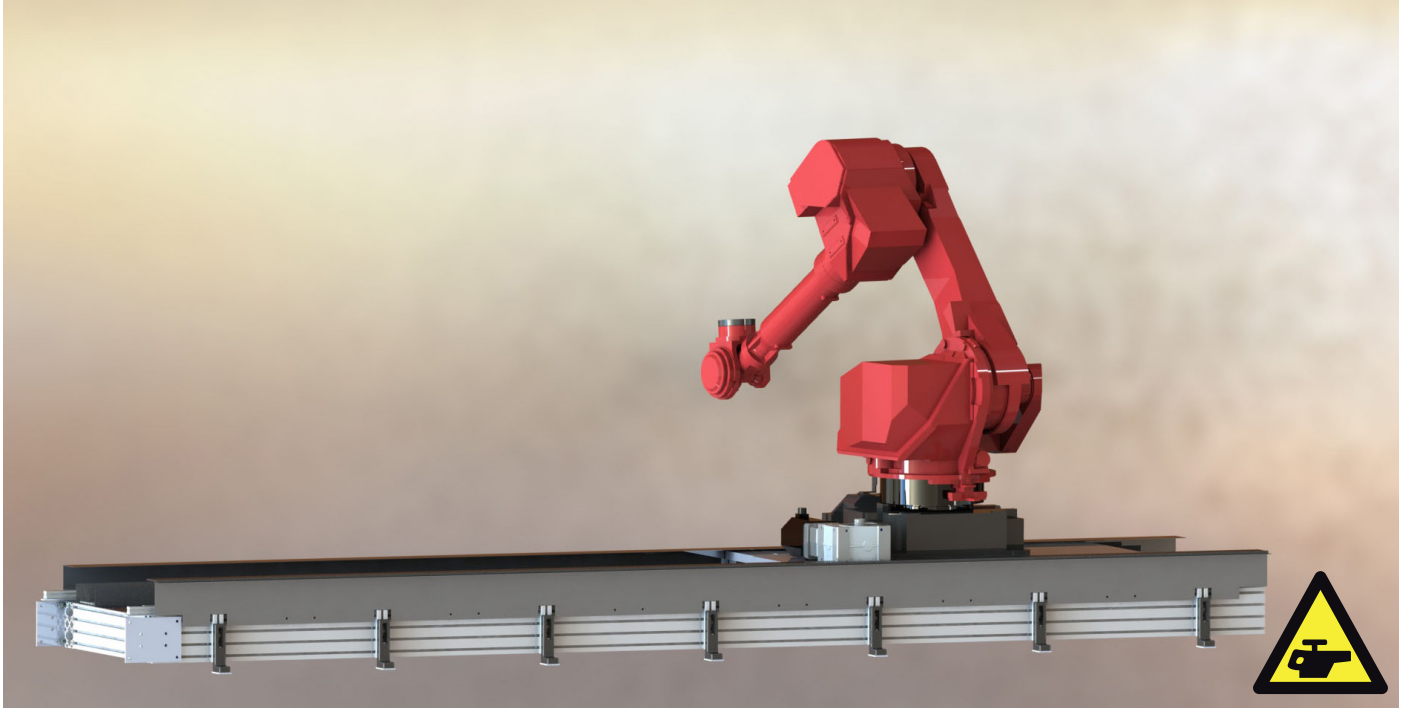


## Lubrication instructions: RTS30, Robot Track System



### Maintenance

Maintenance for the RTS30 modules generally applies solely to the linear guide and the Rack and Pinion system. These are lubricated separately, giving you optimum control and ensuring that the correct amount of grease enters the components. We recommend the following service- and lubrication advice.

### Servicing

Servicing applies to the lubrication of the linear guide carriage and the Rack and Pinion System. Lubricate every slider through the grease nipple. Lubricate the rack system according to the instructions given in Rack Lubrication instructions. Use ball bearing grease as lubricant. The standard grease is lithium-based.

**Note! Do not use any grease that contain graphite or molybdenum disulphide, it will damage the application.**

### Lubrication interval for linear guide

The table below shows the recommended lubrication interval for the Linear guide on the RTS30.

Temperature	30-40 °c	
Speed	up to 1 m/s	over 1 m/s
	Load	Load
RTS30	up to 600 kg	up to 1200 kg
Lubrication interval every	5 000 km	3 000 km
Lubrication with SL unit interval every	20,000 km	10,000 km

### Amount of lubricant for linear guide

The amount of lubricant in grams each time regreasing takes place. **Keep in mind not to over-lubricate. It can cause problems.**

Size	Amount of lubrication per carriage	
	gram	cm <sup>3</sup>
RTS30	1.4	1.5

## Lubrication interval for Rack and Pinion system

The table below shows the recommended lubrication interval for RTS 30 Rack and Pinion system.

### Rack and Pinion Lubrication Alternative

#### Alt 1:

#### Manually Lubrication of the Rack and Pinion

Lubricant is applied manually with a paint brush on the rack according to the table below.

Temperature	10-40 °c	
Speed	up to 1 m/s	over 1 m/s
	Load	Load
RTS30	up to 600 kg	up to 1 200 kg
Lubrication interval every	Every 12 hour of constant operation	Every 10 hour of constant operation
Amount of lubrication	0,5 cm <sup>3</sup> /4 meter	0,75 cm <sup>3</sup> /4 meter

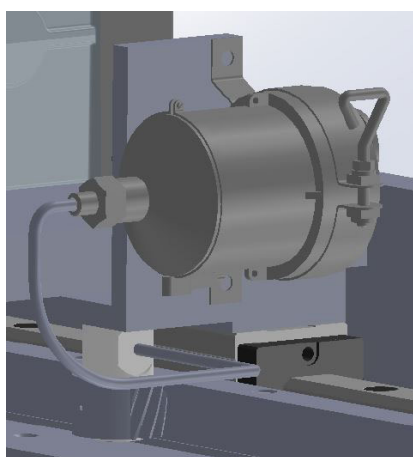
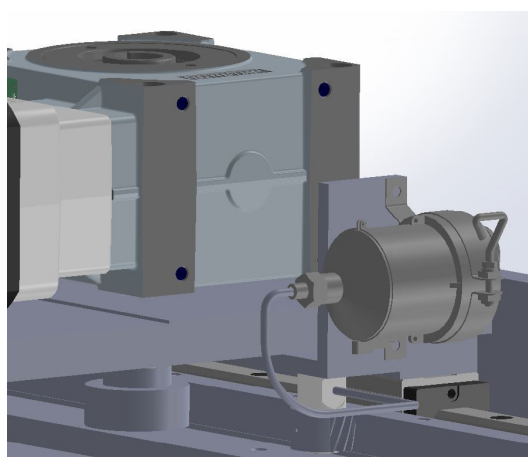
#### Alt 2:

#### Electronically Controlled Felt Gearwheel Lubricator

An electronically controlled felt gear wheel lubricator will here make an optimal lubrication of the rack and pinion system automatically. Adjust the lubricator according to the table amount below.

Temperature	10-40 °c	
Speed	up to 1 m/s	over 1 m/s
	Load	Load
RTS30	up to 600 kg	up to 1 200 kg
Lubrication interval every	Automatically	Automatically
Amount of lubrication	0,25 cm <sup>3</sup> /24 h	0,5 cm <sup>3</sup> /24 h

## Electronically Controlled Felt Gearwheel lubricator



The felt gearwheel lubricator contains 125 ccm of lubricant, it will lubricate the rack and pinion system automatically. It operates with it's own independent battery, that will last approx 1 year.

Recommended grease for felt gearwheel lubricator

Kluber Microlube 6 B O

Order code: 65 90 002

 **AluFlex AB**  
Lilla Garnisonsgatan 34  
254 67 Helsingborg  
Tel +46 42 38 02 30  
Fax +46 42 38 02 31  
orders@aluflex.se  
www.aluflex.se

 **LinearModul A/S**  
Sivlandvænget 13 B  
5260 Odense S  
Tel +45 65 91 72 10  
Fax +45 65 91 72 20  
orders@linearmodul.dk  
www.linearmodul.dk

 **AluFlex System AS**  
Energivegen 14  
Postboks 428  
2051 Jessheim  
Tlf +47 63 94 49 20  
Faks +47 63 94 49 21  
orders@aluflex.no  
www.aluflex.no

 **item profiili oy**  
Mikkilänkallio 5  
02771 Espoo  
Puh +358 9 854 56 50  
Fax +358 9 854 56 544  
orders@itemprofiili.fi  
www.itemprofiili.fi