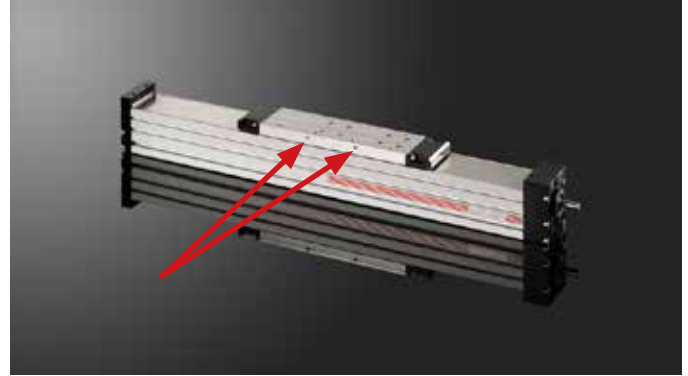


## Lubrication instructions: Linear modules with ball screw drive



### Maintenance

Maintenance for the ball-screw modules generally applies solely to the rail guide and the ball screw. These are lubricated separately, giving you optimum control and ensuring that the correct amount of grease enters the components. We recommend the following servicing- and lubrication advice.

### Servicing

Servicing applies to lubrication of the rail guide carriage. Lubricate the rail guide carriage by using the grease nipples on the side of the linear module carriage.

Use ball bearing grease as lubricant. The standard grease is lithium-based. **Keep in mind that it must not contain graphite or molybdenum disulphide.**

### Lubrication interval for rail guide

The table below shows the recommended lubrication interval for AluFlex® linear modules.

Temperature	10-40 °C	
Speed	up to 1 m/s	up to 3 m/s
Linearmodule	Load	Load
LM3KGT	up to 15 kg	over 15 kg
LM4KGT	up to 60 kg	over 60 kg
LM5KGT	up to 100 kg	over 100 kg
Lubrication interval every	10,000 km / or every 6 months	5,000 km / or every 6 months

Temperature	10-40 °C	
Speed	up to 1 m/s	up to 3 m/s
Linearmodule	Load	Load
KE2KGT	up to 15 kg	over 15 kg
KE3KGT	up to 60 kg	over 60 kg
Lubrication interval every	10,000 km / or every 6 months	5,000 km / or every 6 months

### Amount of lubricant for rail guide

The amount of lubricant in grams each time regreasing takes place. **Keep in mind not to over-lubricate. It can cause problems.**

Size	Amount of lubrication per carriage	
	gram	cm <sup>3</sup>
LM3KGT	0.3	0.3
LM4KGT	0.5	0.5
LM5KGT	0.8	0.9

Size	Amount of lubrication per carriage	
	gram	cm <sup>3</sup>
KE2KGT	0.3	0.3
KE3KGT	0.5	0.5

For lubrication interval and amount of lubricant for the ball screw, see next page ►►►

## Lubrication interval for ball screw

The table below shows the recommended lubrication interval for AluFlex® linear modules.

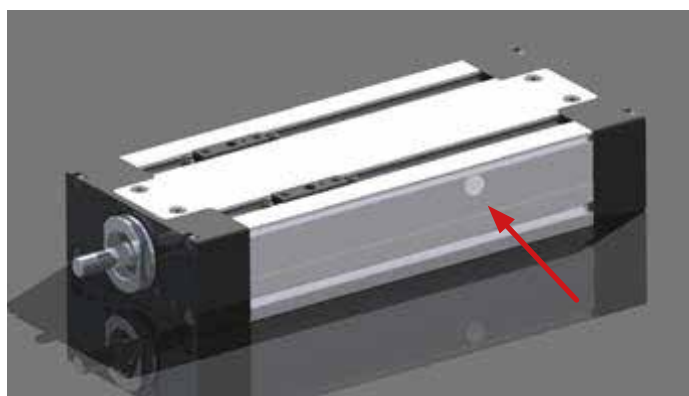
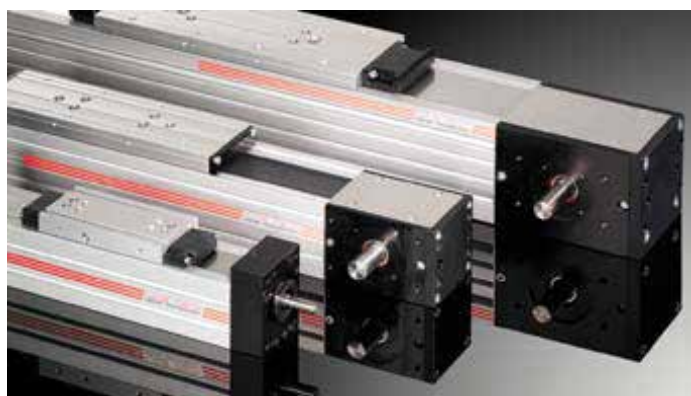
Temperature	10-40 °C	
Rotation speed	under 600 rpm	over 600 rpm
Linear module	Load	Load
LM3KGT	up to 15 kg	over 15 kg
LM4KGT	up to 60 kg	over 60 kg
LM5KGT	up to 100 kg	over 100 kg
Lubrication interval every	750 hours / or every 6 months	500 hours / or every 6 months

Temperature	10-40 °C	
Rotation speed	under 600 rpm	over 600 rpm
Linear module	Load	Load
KE2KGT	up to 15 kg	over 15 kg
KE3KGT	up to 60 kg	over 60 kg
Lubrication interval every	750 hours / or every 6 months	500 hours / or every 6 months

## Amount of lubricant for ball screw

The amount of lubricant in grams each time regreasing takes place.


**Keep in mind not to over-lubricate. It can cause problems.**



Size	Ball screw	Amount of lubrication / carriage	
	diameter x pitch	gram	cm <sup>3</sup>
LM3KGT	16 x 5	4	4.5
	16 x 10	4	4.5
	16 x 16	4	4.5
LM4KGT	20 x 5	5	5.6
	20 x 10	7	7.8
	20 x 20	7	7.8
LM5KGT	32 x 5	9	10
	32 x 10	9	10
	32 x 20	13	14.5
	32 x 32	13	14.5

Size	Ball screw	Amount of lubrication / carriage	
	diameter x pitch	gram	cm <sup>3</sup>
KE2KGT	16 x 5	4	4.5
	16 x 10	4	4.5
	16 x 16	4	4.5
KE3KGT	20 x 5	5	5.6
	20 x 10	7	7.8
	20 x 20	7	7.8

 **AluFlex AB**  
Lilla Garnisonsgatan 34  
254 67 Helsingborg  
Tel +46 42 38 02 30  
Fax +46 42 38 02 31  
orders@aluflex.se  
www.aluflex.se

 **LinearModul A/S**  
Sivlandvænget 13 B  
5260 Odense S  
Tel +45 65 91 72 10  
Fax +45 65 91 72 20  
orders@linearmodul.dk  
www.linearmodul.dk

 **AluFlex System AS**  
Energivegen 14  
Postboks 428  
2051 Jessheim  
Tlf +47 63 94 49 20  
Faks +47 63 94 49 21  
orders@aluflex.no  
www.aluflex.no

 **item profiili oy**  
Mikkelänkallio 5  
02771 Espoo  
Puh +358 9 854 56 50  
Fax +358 9 854 56 544  
orders@itemprofiili.fi  
www.itemprofiili.fi